

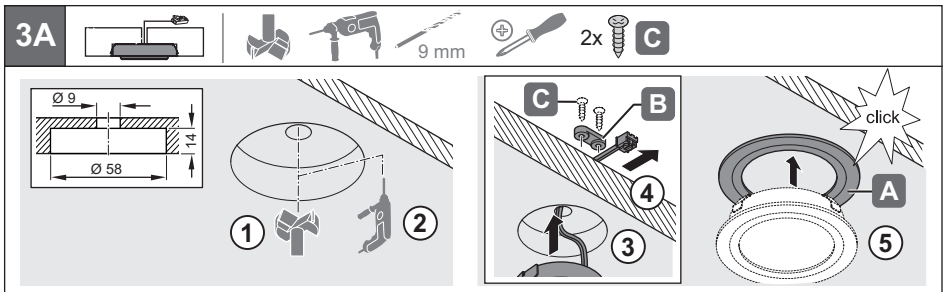
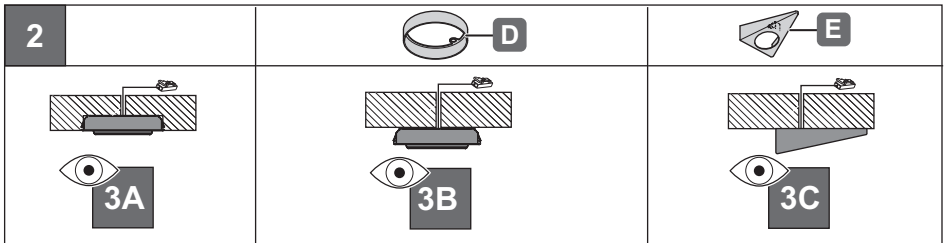
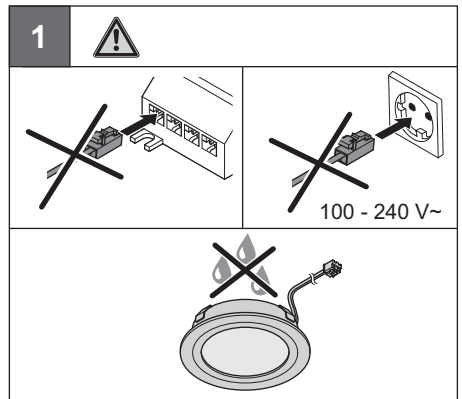
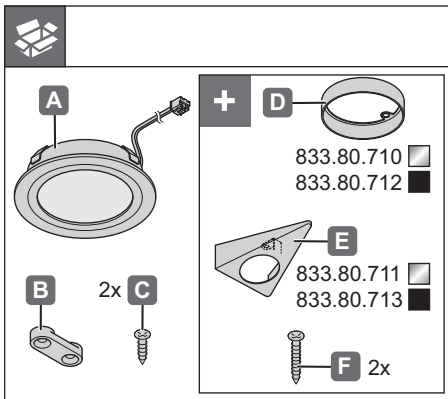


LED 4009

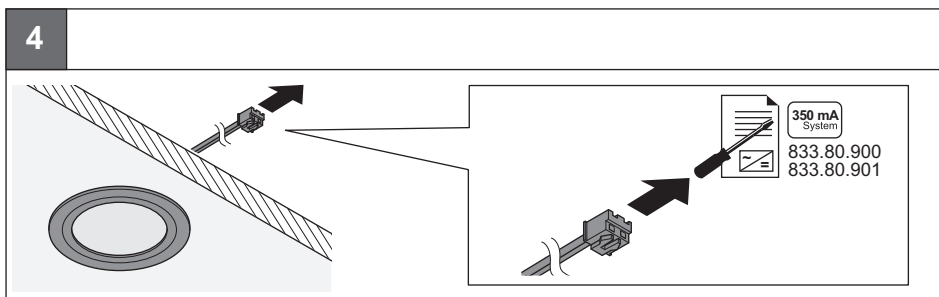
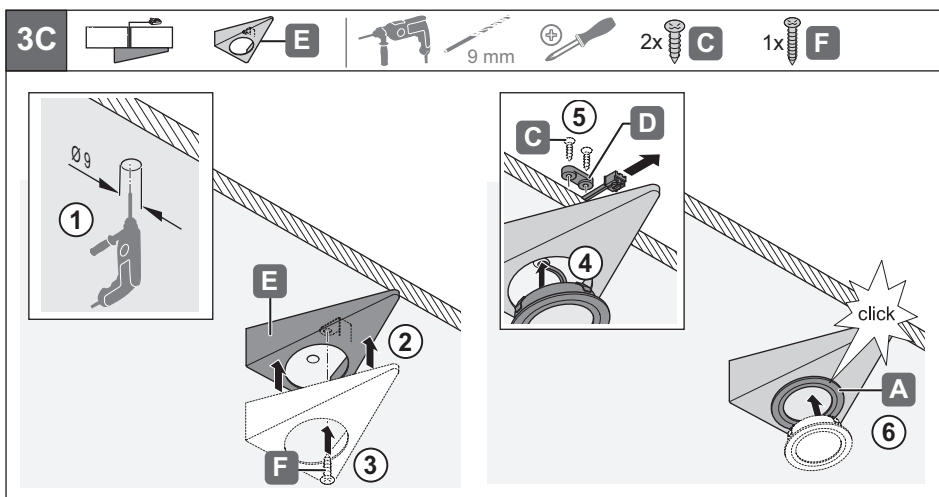
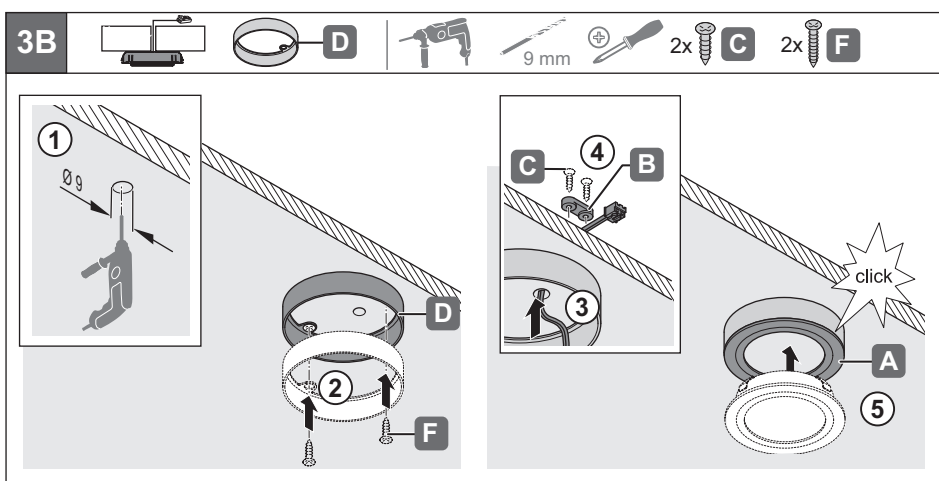
833.78.140 833.78.151
833.78.142 833.78.154

350 mA System	K	W	T _A	mm	mm	
833.78.140	3000 K	3 x 1 W	-20 °C – +35 °C -4 °F – +95 °F	∅ 65 x 15	≥ ∅ 75 x 25	833.80.900 833.80.901
833.78.151	6000 K					
833.78.142	3000 K					
833.78.154	6000 K					

732.28.291



HDE 04/2014



732.26.291

HDE 04/2014