

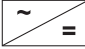


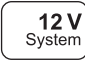




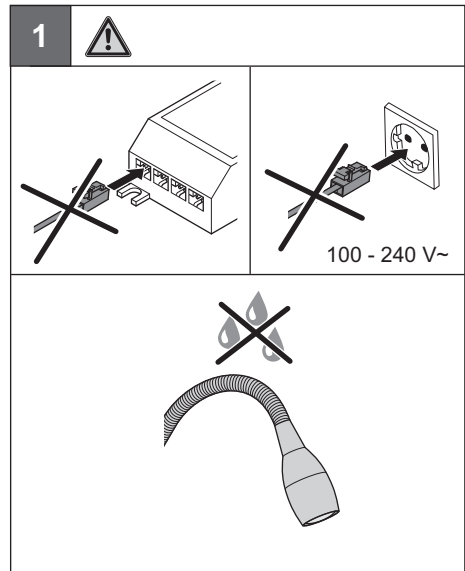
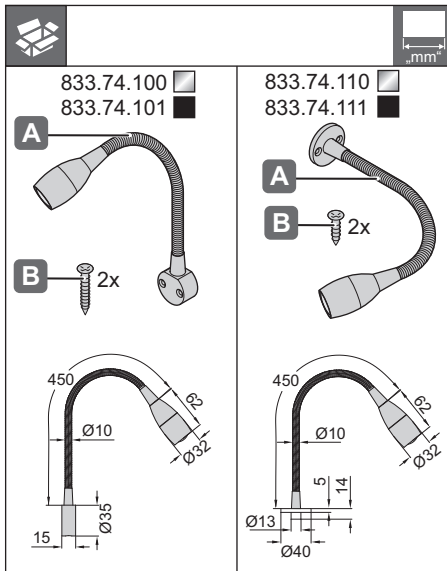


LED 2018

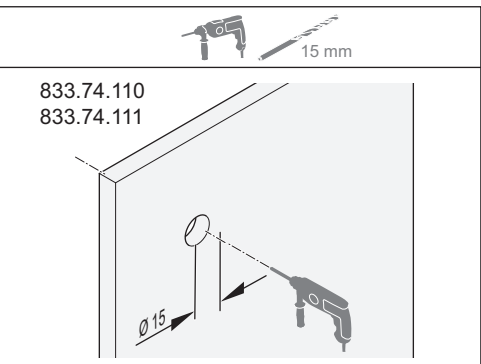
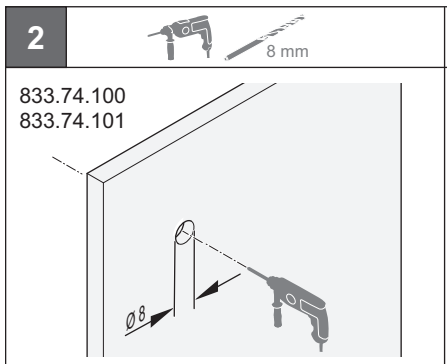
833.74.100 833.74.110
833.74.101 833.74.111

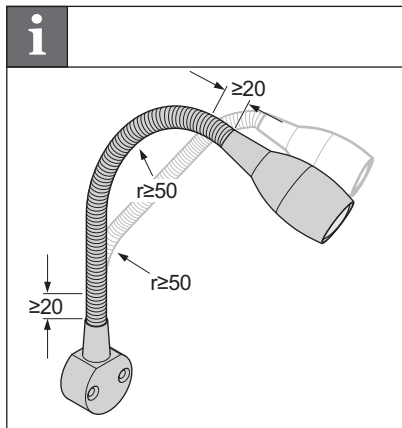
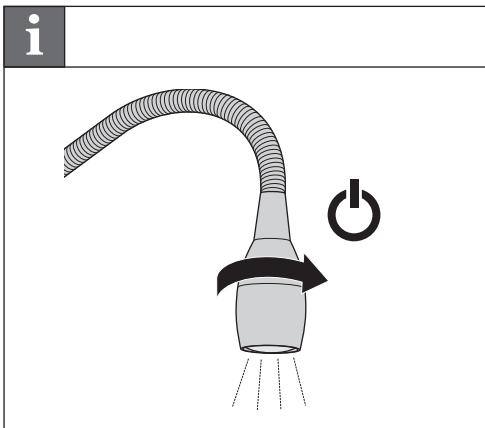
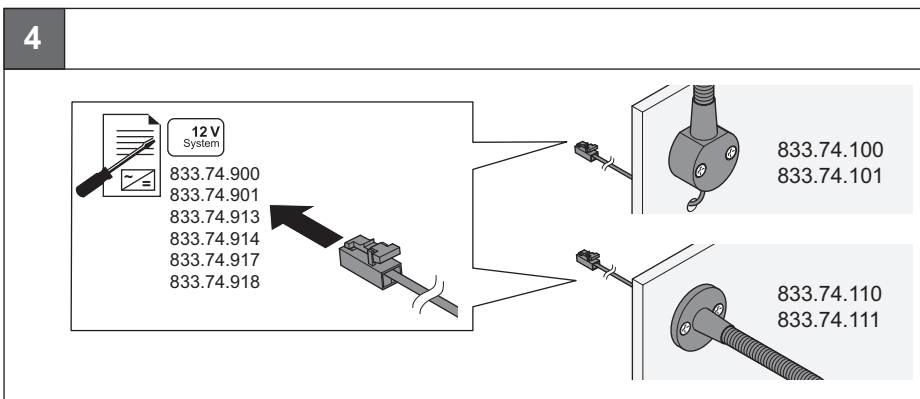
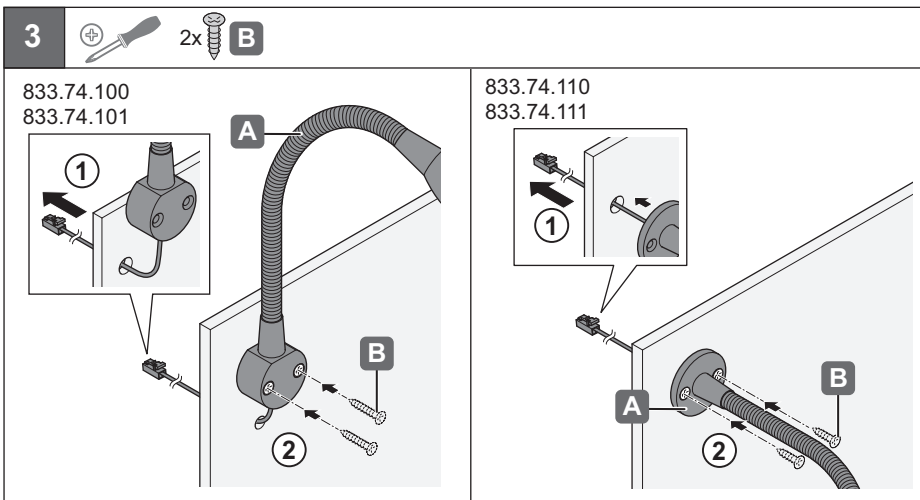
	K	W	T _A	 mm	 mm	
833.74.100  833.74.101 	3000 K	2 W	-20 °C – +35 °C -4 °F – +95 °F	Ø 42 x 557	≤ 52 x 567	
833.74.110  833.74.111 				Ø 42 x 536	≤ 52 x 546	

732.28.207



HDE 17.04.2018





732.26.207

HDE 17.04.2018