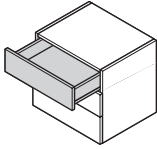


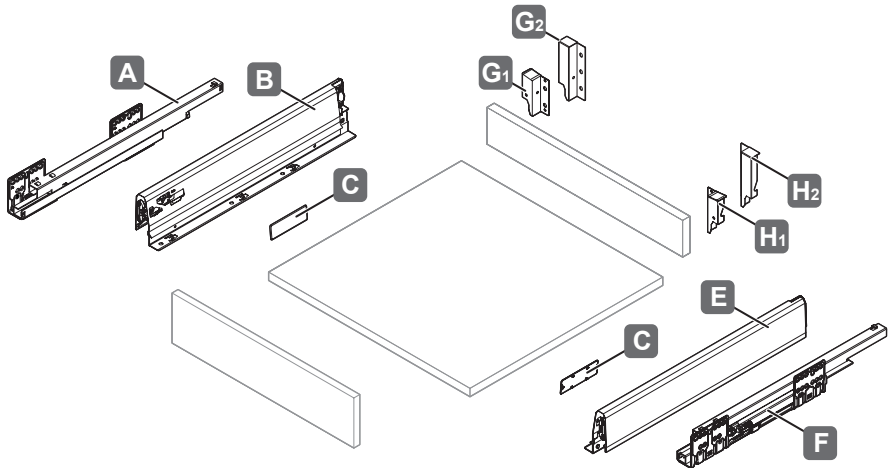


## Matrix Box S 84 / 120

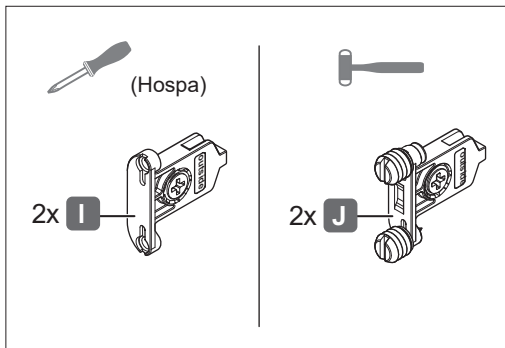
552.54.490-496 552.56.490-496  
 552.54.690-696 552.56.690-696  
 552.54.790-796 552.56.790-796



732.25.034



[1639723]



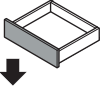
HDE 13.04.2023



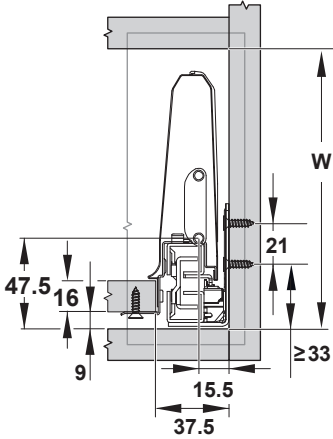
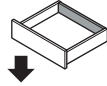
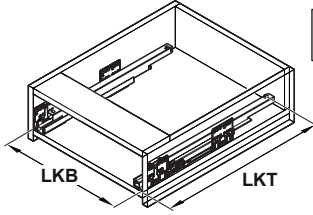
i

LKT = NL + 16

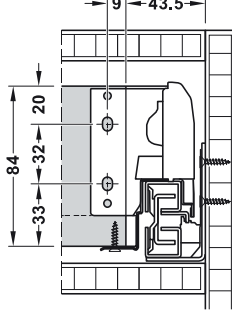
„mm“



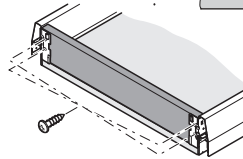
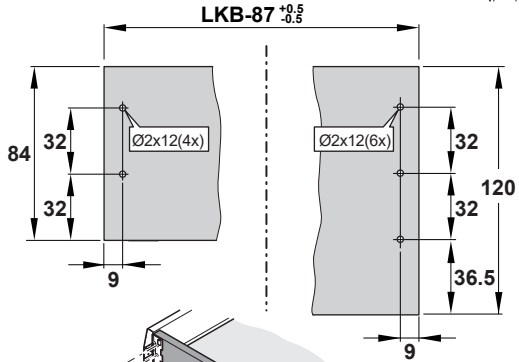
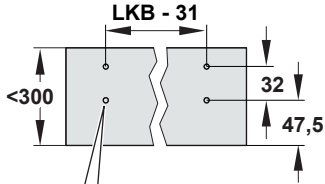
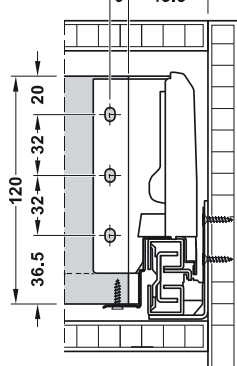
S 84	S 120
W ≥ 105	≥ 143



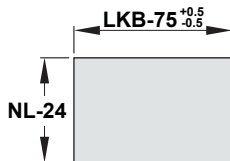
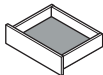
S 84



S 120



<b>+</b>		
M4x19		Ø 2x12
M10x10		Ø M10x12,5



732.25.034

[1639723]

HDE 13.04.2023

1



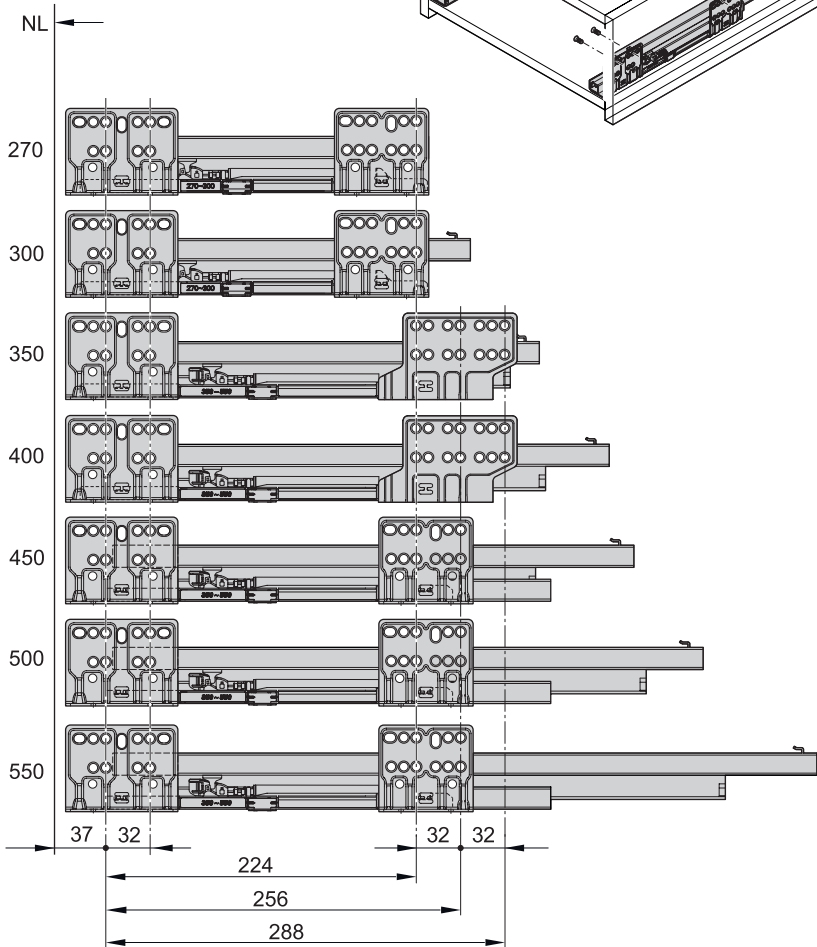
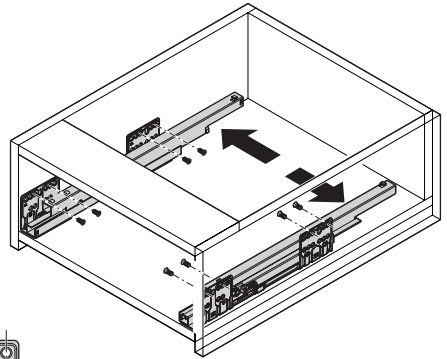
PZ2

VARIANTA



Ø5x14

4-8x

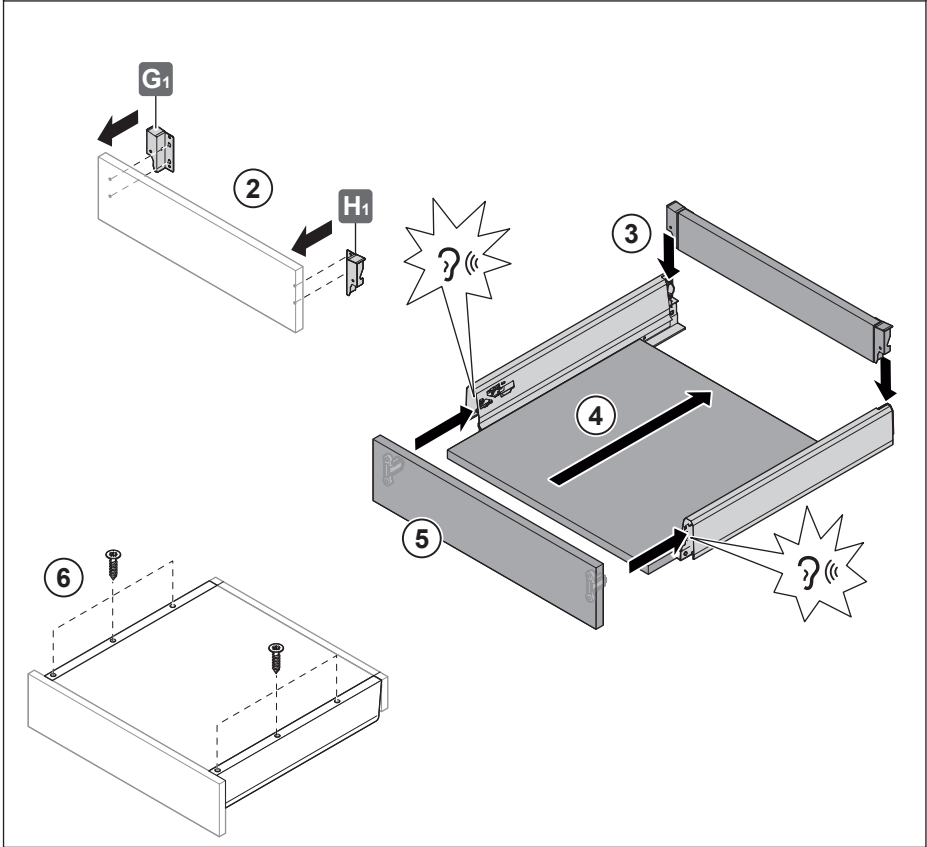
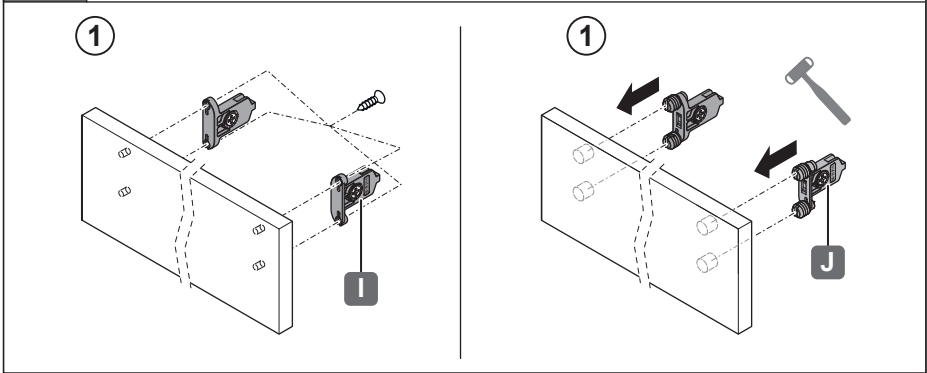


732.25.034

[1639723]

HDE 13.04.2023

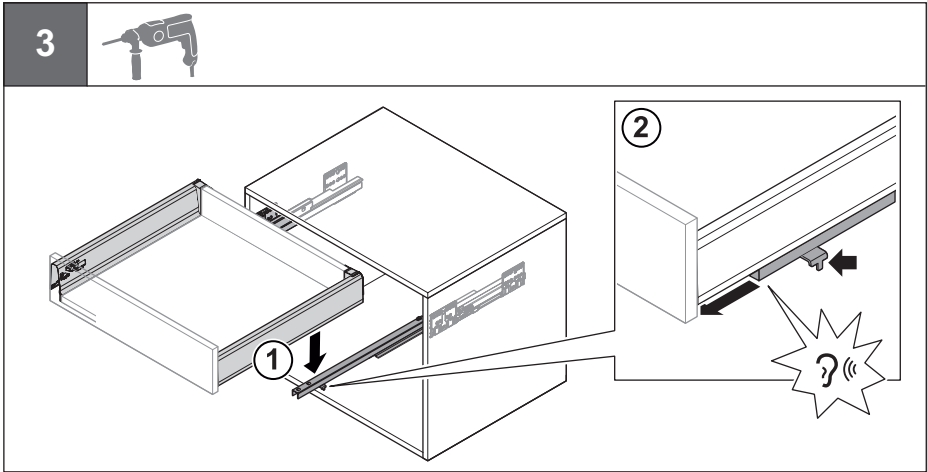
**2**    Ø 4x19 4x  Ø 3.5x13 10-12x



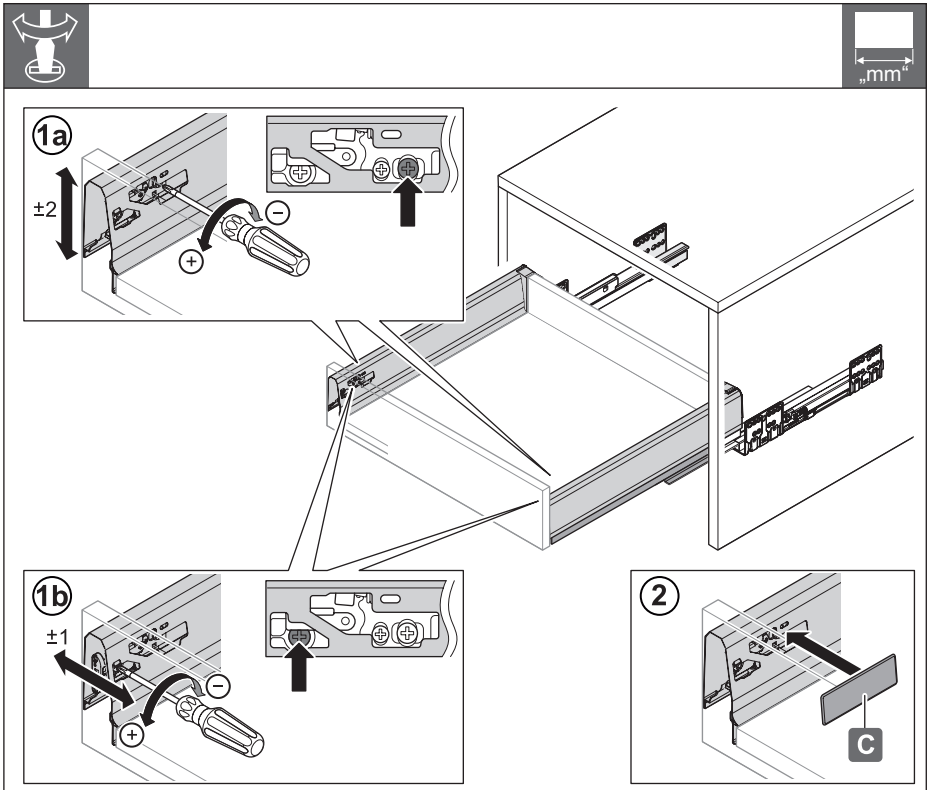
732.25.034

[1639723]

HDE 13.04.2023



732.25.034

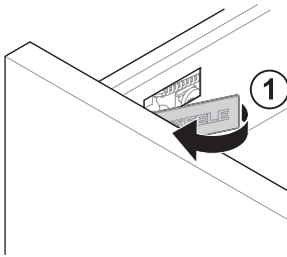
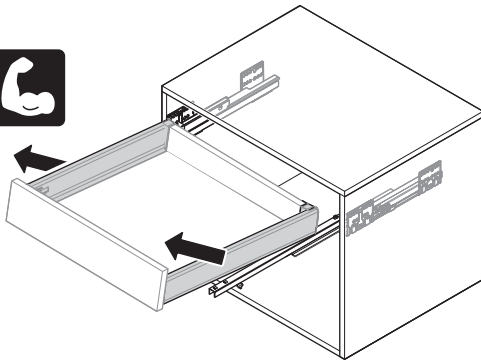


[1639723]

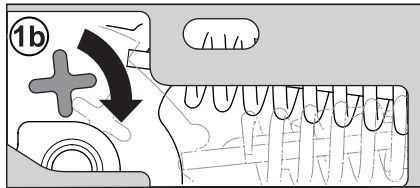
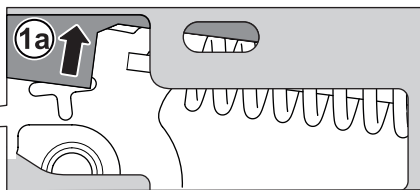
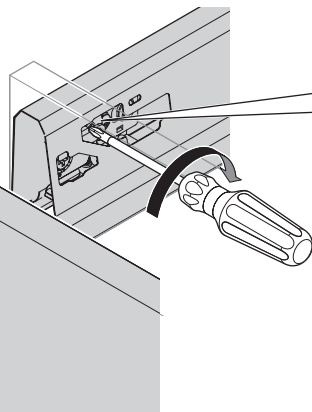
HDE 13.04.2023



PZ2



2



732.25.034

[1639723]

HDE 13.04.2023